



ALLIED PIPING PRODUCTS PA, INC.

Highland Business Park – 98 Highland Avenue

P.O. Box 878 – Oaks, PA 19456-0878

Phone (610) 666-5950 Fax (610) 666-7606

USA WATS (800) 345-6395

Email: Sales@AlliedPiping.com Web: www.AlliedPiping.com



FOR PIPE AND TUBING

The Brazolet® is a bronze brazing outlet fitting for silver brazing to copper or brass pipe or tubing. It is available for use on Type TP tubing, nominal pipe sizes and types K, L & M tubing. The branch outlets are machined with either threaded ends or for silver brazing the corresponding type of pipe or tubing. The use of the Brazolet® enables installation of full straight lengths of pipe or tubing and cutting in branches afterwards.

Available in Reducing Sizes Only—For Run Sizes Through 14"

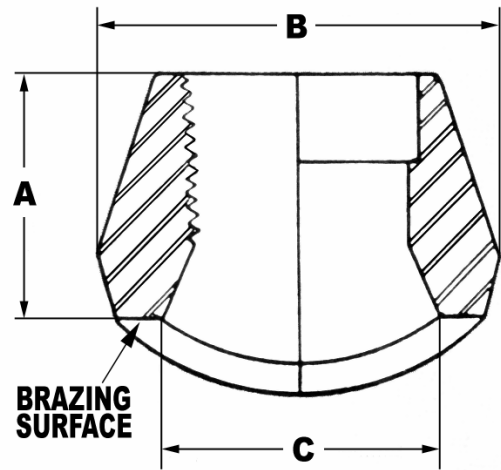
Also available: grooved for rings per MIL-F-1183



Brazolet® for IPS Pipe -

ASME SB-98 UNS C665500 Alloy A

Outlet Sizes	A	B	C	Brazing Surface	F-MIN. MIL-1183
1/4	11/16	1	9/16	0.188	0.7
3/8	13/16	1 1/4	3/4	0.19	0.855
1/2	1	1 7/16	7/8	0.22	1.02
3/4	1 1/16	1 3/4	1 1/8	0.24	1.25
1	1 1/4	2 1/8	1 7/16	0.27	1.535
1 1/4	1 5/16	2 9/16	1 3/4	0.3	1.9
1 1/2	1 3/8	2 7/8	2	0.33	2.16
2	1 1/2	3 1/2	2 9/16	0.36	2.675
2 1/2	1 13/16	4 1/8	3	0.384	3.215
3	2	4 13/16	3 11/16	0.442	3.88
4	2 1/4	6	4 3/4	0.476	4.94
5	2 5/8	7 1/16	5 9/16	0.656	6.163



Brazolet® for Tubing -

Type K, L, and M Tubing. ASME SB-98 UNS C665500 Alloy A

Outlet Sizes	A	B	C	Brazing Surface	F-MIN. MIL-1183
1/4	11/16	1	9/16	0.188	0.7
3/8	13/16	1 1/4	3/4	0.19	0.855
1/2	13/16	1 1/4	3/4	0.19	0.855
3/4	1	1 7/16	7/8	0.22	1.02
1	1 1/16	1 3/4	1 1/8	0.24	1.25
1 1/4	1 1/4	2 1/8	1 7/16	0.27	1.535
1 1/2	1 5/16	2 9/16	1 3/4	0.3	1.9
2	1 3/8	2 7/8	2	0.33	2.16
2 1/2	1 1/2	3 1/2	2 9/16	0.36	2.675
3	1 13/16	4 1/8	3	0.384	3.215
4	2 1/8	5 1/2	4 5/16	0.437	4.4

