



ALLIED PIPING PRODUCTS PA, INC.

Highland Business Park - 98 Highland Avenue

P.O. Box 878 - Oaks, PA 19456-0878

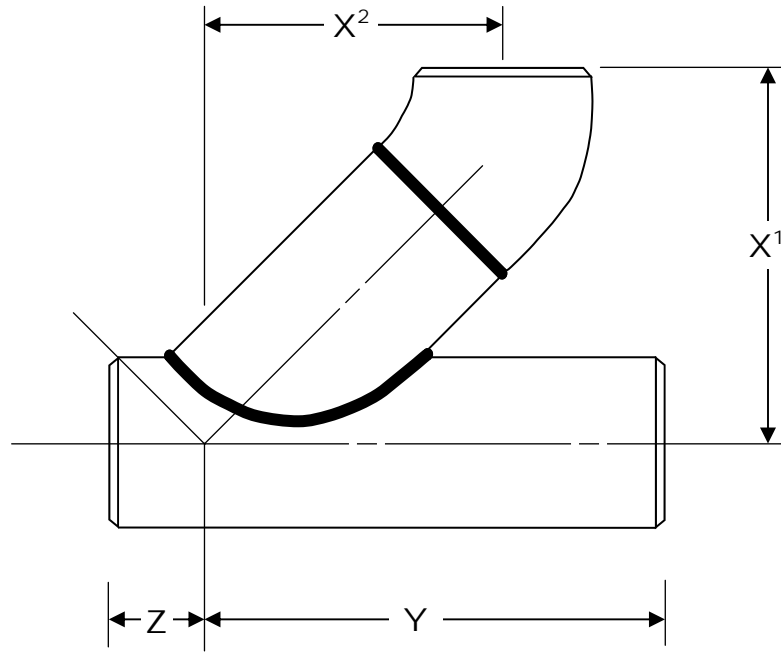
Phone (610) 666-5950 Fax (610) 666-7606

USA WATS (800) 345-6395

Email: Sales@AlliedPiping.com Web: www.AlliedPiping.com



FABRICATED TEE WYE STD WT. DIMENSIONAL DATA



Nominal Size	Dimension - inches				Approx. Wt. Lbs.
	Z	Y	X ¹	X ²	
2 X 2 X 2	2.75	7.00	9.00	4.63	6
2 ^{1/2} X 2 ^{1/2} X 2 ^{1/2}	3.00	7.75	10.50	5.75	12
3 X 3 X 3	3.25	8.50	11.50	6.50	14
4 X 4 X 3	3.75	10.50	12.88	7.88	23
4 X 4 X 4	3.75	10.50	13.63	8.13	26
5 X 5 X 3	4.00	12.50	14.25	9.25	29
5 X 5 X 4	4.00	12.50	15.13	9.63	37
5 X 5 X 5	4.00	12.50	16.13	10.00	48
6 X 6 X 3	4.50	14.00	15.31	10.31	37
6 X 6 X 4	4.50	14.00	16.25	10.75	46
6 X 6 X 5	4.50	14.00	17.25	11.13	55
6 X 6 X 6	4.50	14.00	18.25	11.50	61

Nominal Size	Dimension - inches				Approx. Wt. Lbs.
	Z	Y	X ¹	X ²	
8 X 8 X 3	6.00	18.00	18.19	13.19	76
8 X 8 X 4	6.00	18.00	19.00	13.50	77
8 X 8 X 5	6.00	18.00	20.00	13.88	86
8 X 8 X 6	6.00	18.00	21.13	14.38	112
8 X 8 X 8	6.00	18.00	23.25	15.25	127
10 X 10 X 3	6.50	20.50	19.88	14.88	96
10 X 10 X 4	6.50	20.50	20.75	15.25	97
10 X 10 X 5	6.50	20.50	21.88	15.75	115
10 X 10 X 6	6.50	20.50	22.88	16.13	133
10 X 10 X 8	6.50	20.50	27.25	19.25	156
10 X 10 X 10	6.50	20.50	27.25	18.00	190
12 X 12 X 12	7.00	23.00	31.00	20.50	240