



ALLIED PIPING PRODUCTS PA, INC.

Highland Business Park – 98 Highland Avenue
 P.O. Box 878 – Oaks, PA 19456-0878
 Phone (610) 666-5950 Fax (610) 666-7606
 USA WATS (800) 345-6395

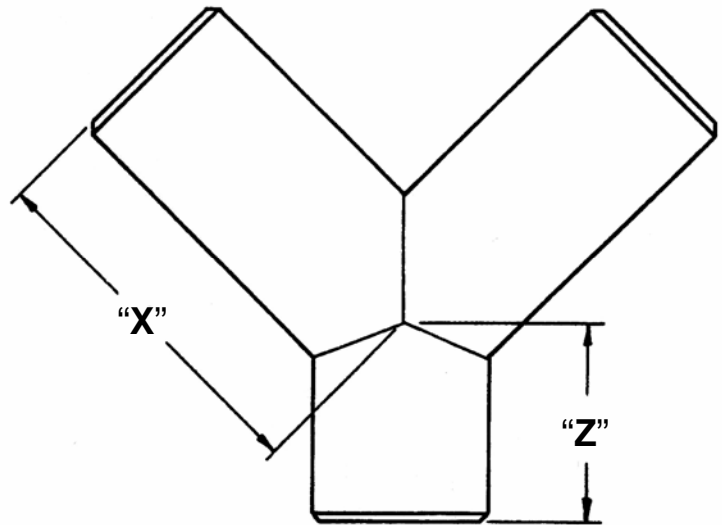
Email: Sales@AlliedPiping.com Web: www.AlliedPiping.com



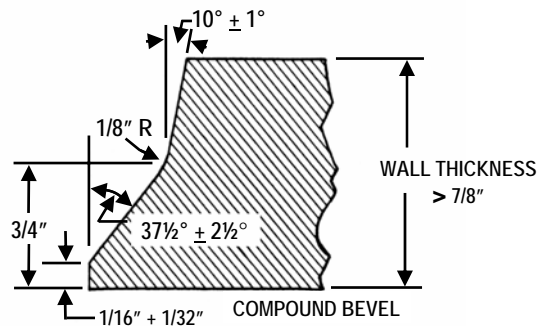
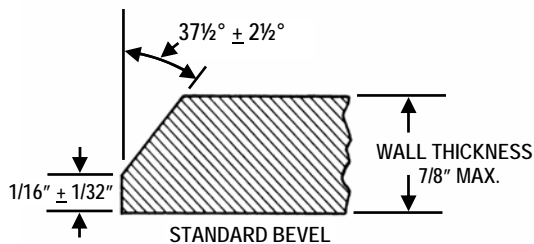
TRUE WYE

PRICE ON APPLICATION

AVAILABLE IN
 ASTM A106,
 A312 T304/L, &
 A312 T316/L



NOMINAL SIZE	"X" DIMENSION	"Z" DIMENSION	APPROXIMATE WEIGHT	
			STD	XS
2"	6	3-1/4	4.4	6.0
2-1/2"	7	3-1/2	7.9	10.5
3"	7-3/4	3-3/4	11.3	15.3
4"	8-3/8	4	14.5	19.9
5"	8-1/2	4-1/2	17.7	25
6"	12-1/2	5-1/4	44	66
8"	15-1/4	6-1/4	79	120
10"	18	7	131	176
12"	21-1/2	8	189	249
14"	25	10	247	325
16"	28-1/2	12	325	430
18"	32	13	409	541
20"	35	14	495	656
24"	41-1/4	16-1/4	700	927



Unless otherwise specified, all true wyes with a wall thickness of 7/8" or less will have the standard bevel, and all true wyes with a wall thickness greater than 7/8" will have the compound bevel.

ALLIED TRUE WYES GIVE YOU ECONOMY WITHIN THE CONTEXT OF SOUND ENGINEERING PRACTICES